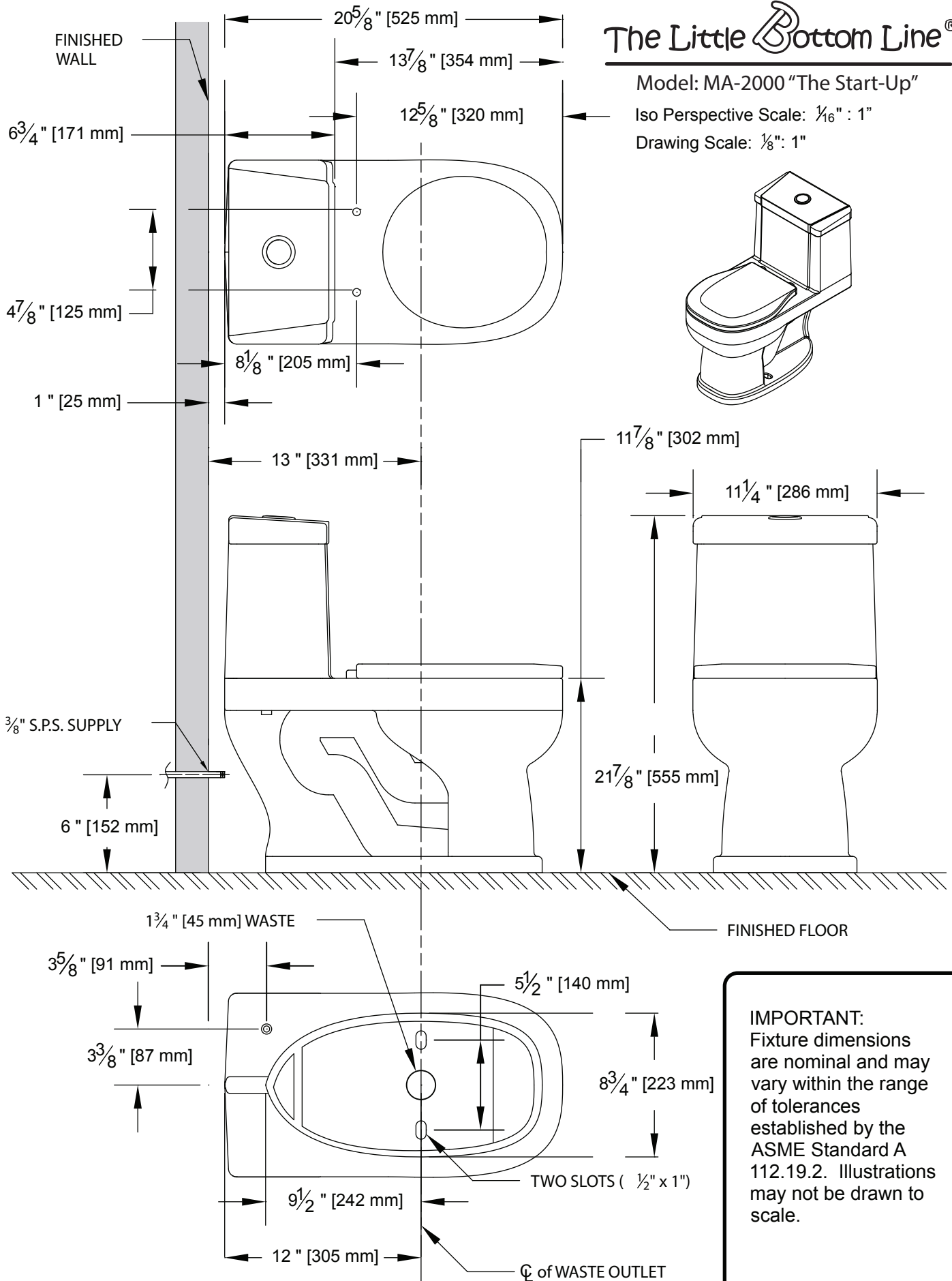
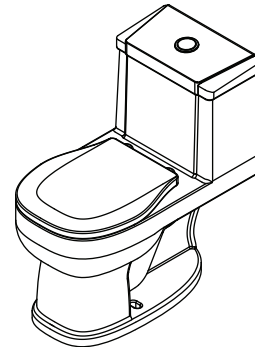


# The Little Bottom Line®

Model: MA-2000 "The Start-Up"

Iso Perspective Scale: 1/16" : 1"

Drawing Scale: 1/8" : 1"



**IMPORTANT:**  
 Fixture dimensions are nominal and may vary within the range of tolerances established by the ASME Standard A 112.19.2. Illustrations may not be drawn to scale.